



**Electrolux**  
PROFESSIONAL

**Modular Cooking Range Line  
thermaline 80 - 1200 mm Passthrough  
open base, 2 Sides (H2) - H=550**

ITEM # \_\_\_\_\_

MODEL # \_\_\_\_\_

NAME # \_\_\_\_\_

SIS # \_\_\_\_\_

AIA # \_\_\_\_\_



588232 (MA2ADCKOOO) Passthrough Open Base,  
two-side operated - H2

### Short Form Specification

Item No. \_\_\_\_\_

1200 mm wide open passthrough base compartment to store pots, pans, sheet pans, etc. with hygienic design and round edges. Internal frame for heavy duty sturdiness in stainless steel. Flat surface construction, easily cleanable.

IPX5 water resistant certification.

Configuration: Two-side operated freestanding base, hygienic class H2.

### Main Features

- All major components may be easily accessed from the front.
- Unit to be placed below modular top appliances to store pots, pans, sheet pans, etc.

### Construction

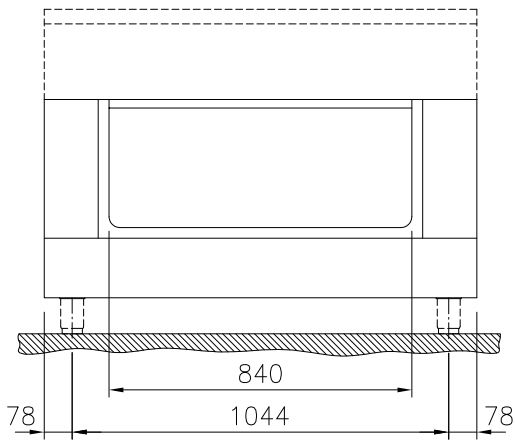
- IPX5 water resistance certification.
- Hygienic design of the open base compartment with large round edges.
- 2 mm top in 1.4301 (AISI 304).
- Flat surface construction with minimal hidden areas to easily clean all surfaces
- Internal frame for heavy duty sturdiness in stainless steel.

APPROVAL: \_\_\_\_\_

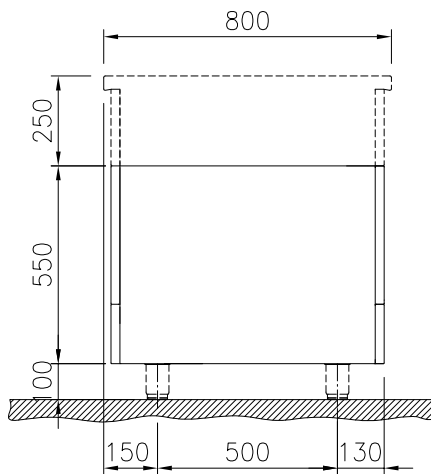


Experience the Excellence  
[www.electroluxprofessional.com](http://www.electroluxprofessional.com)

Front



Side



Top


**Key Information:**

|                                      |         |
|--------------------------------------|---------|
| External dimensions, Width:          |         |
| 588232 (MA2ADCKOOO)                  | 1200 mm |
| External dimensions, Depth:          | 800 mm  |
| External dimensions, Height:         | 550 mm  |
| Cupboard Cavity Dimensions (width):  | 840 mm  |
| Cupboard Cavity Dimensions (height): | 330 mm  |
| Cupboard Cavity Dimensions (depth):  | 760 mm  |
| Net weight:                          | 26 kg   |

### Optional Accessories

- Stainless steel side panel, 800x800mm, freestanding PNC 912508
- Stainless steel front kicking strip, 1200mm width PNC 912602
- Stainless steel side kicking strips left and right, freestanding, 800mm width PNC 912619
- Stainless steel plinth, freestanding, 1200mm width PNC 912829
- Side reinforced panel only in combination with side shelf, for freestanding units PNC 913257
- Shelf fixation for TL80-85-90 one-side operated, TL80 two-side operated PNC 913279
- Stainless steel dividing panel, 800x800mm, (it should only be used between Electrolux Professional thermaline Modular 80 and thermaline C80) PNC 913669
- Stainless steel side panel, 800x800mm, flush-fitting (it should only be used against the wall, against a niche and in between Electrolux Professional thermaline and ProThermetic appliances and external appliances - provided that these have at least the same dimensions) PNC 913685